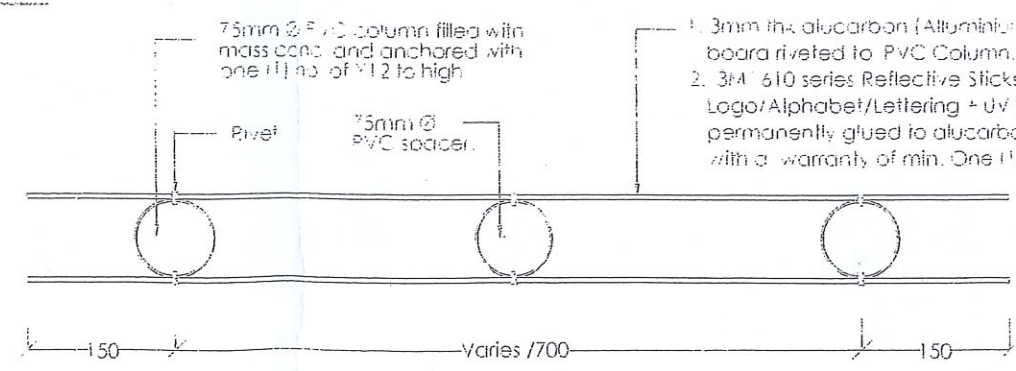
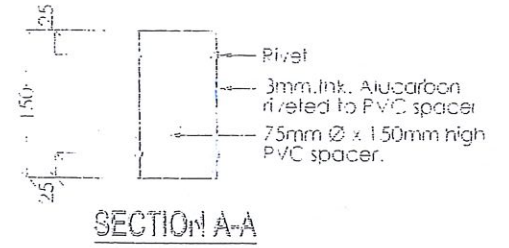
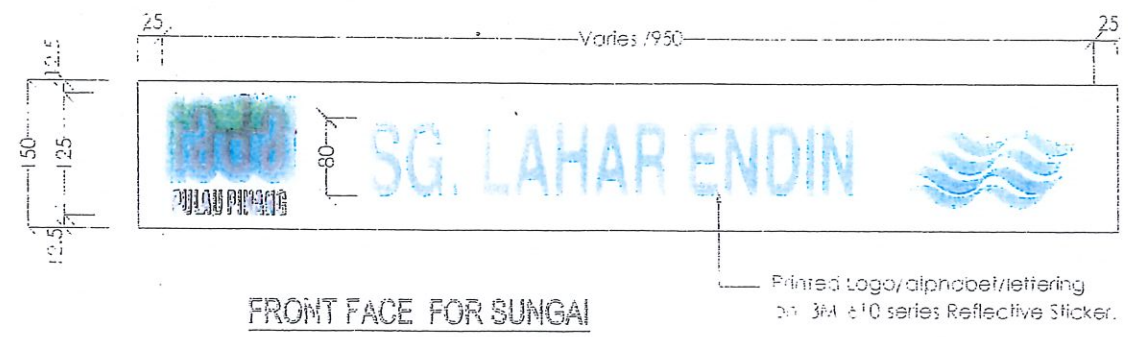
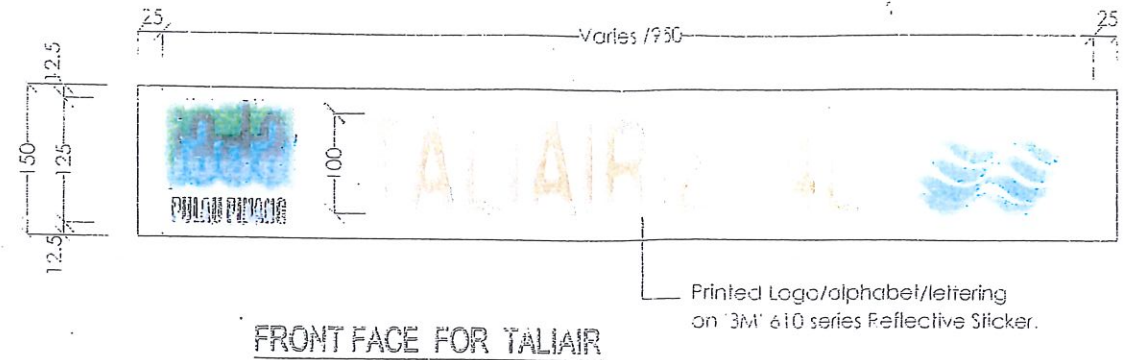
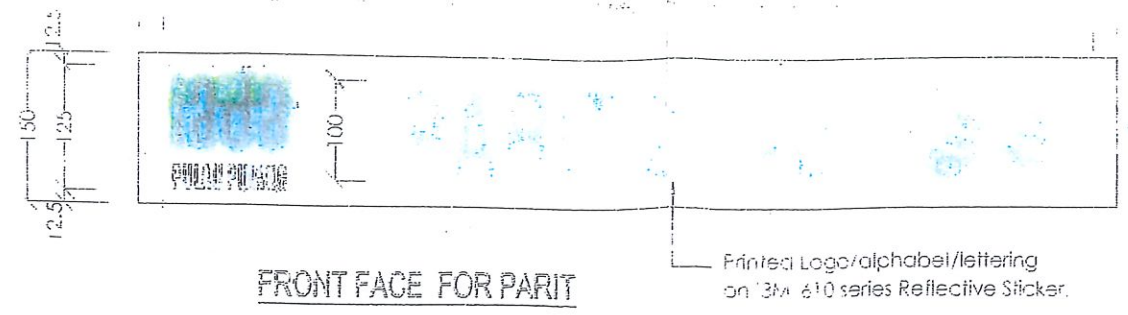


TYPICAL SECTION



PLAN



- NOTES:
1. All dimensions are in millimeters
 2. The exact location and rotation of the signboard on site shall be as directed by S.O.
 3. The colour of the name of River and Drain shall be DARK BLUE as directed by S.O.
 4. The colour of the name of Canal shall be DARK RED as directed by S.O.
 5. The font for all lettering shall be Sans Serif as shown.

KAWASAN PEMBANGUNAN PERTANIAN BERSEPADU PULAU PINANG
 Jalan Jelawat, 13700 Seberang Jaya, Pulau Pinang
 Tel: 04-3307901
 Fax no: 04-3307803

| BUTIRAN | NOTA / PINDAAN | TANDATANGAN | TARIKH |
|---------|----------------|-------------|--------|
| | | | |

KAWASAN PEMBANGUNAN PERTANIAN BERSEPADU PULAU PINANG
 PAPAN TANDA NAMA SUNGAI, PARIT DAN TALIAIR

| | | | | | |
|--|--|---|-----------|---|------------------|
| INILAH PELAN YANG BERKAITAN DIDALAM KONTRAK NO. | | | | | |
| HJ. KHRLUDDIN BIN DARUS JURUTERA PROJEK KAWASAN PEMBANGUNAN PERTANIAN BERSEPADU PULAU PINANG | | LIQID ZAROL AZHIL BIN ZAHRIH PENOLONG JURUTERA JRS KAWASAN PEMBANGUNAN PERTANIAN BERSEPADU PULAU PINANG | | TANDATANGAN NAMA TARIKH SKALA 1:100 & as shown | |
| DRUBAHSHAH OLEH | | | | NO. PLAN | 13DA/STD/11/15-3 |
| DILUKIS OLEH | | MARZUKI BIN TAMAT | MAC. 2015 | NO. NEG | |
| DIEKAMUK OLEH | | LIQID ZAROL AZHIL BIN ZAHRIH | | | |