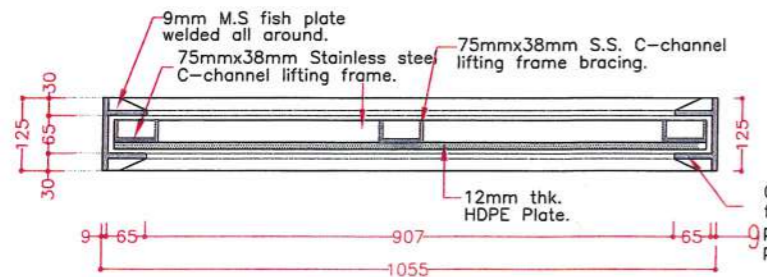
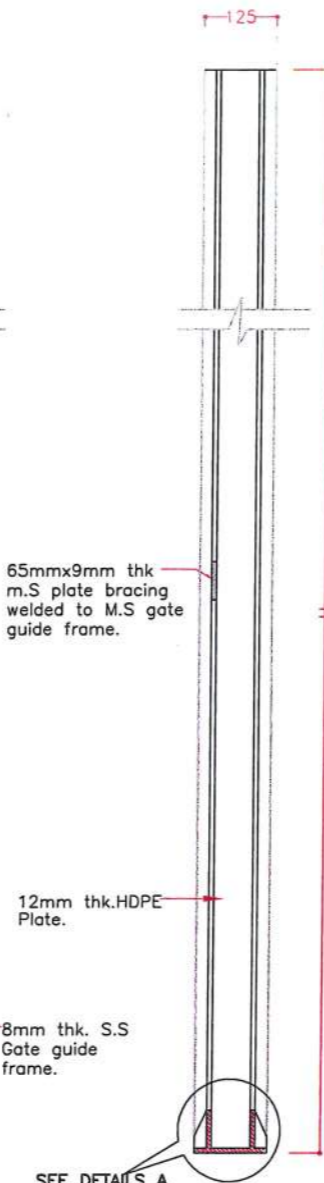


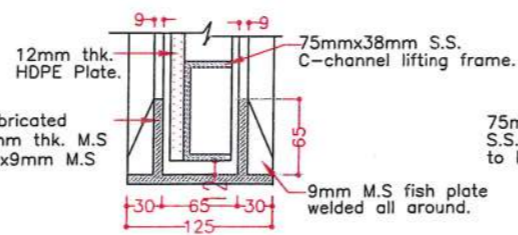
ELEVATION OF GATE FRAME



SECTIONAL PLAN



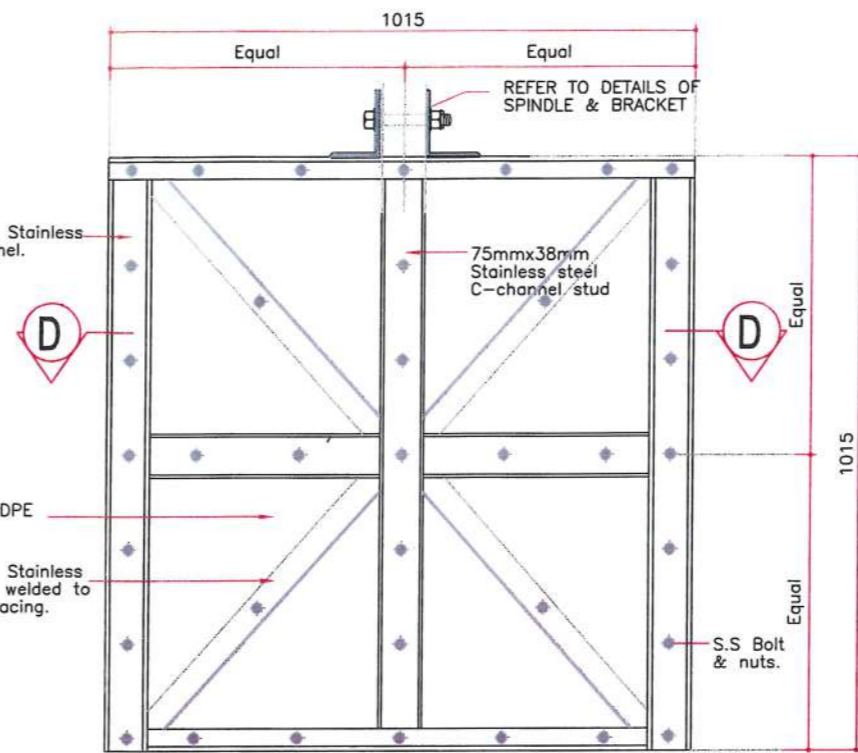
SECTION A-A



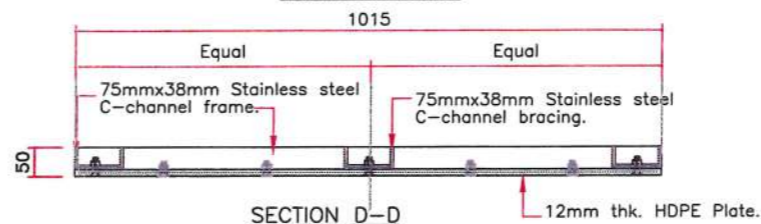
DETAILS A scale 1:50

Groove to be fabricated from 125mmx9mm thk. M.S plate and 65mmx9mm M.S plate as shown.

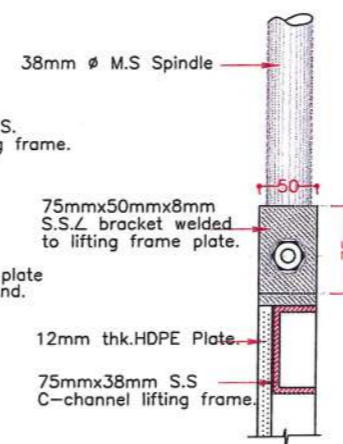
Groove to be fabricated from 125mmx9mm thk. M.S plate and 65mmx9mm M.S plate as shown.



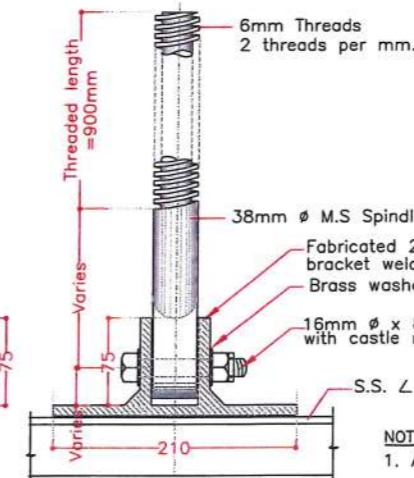
BACK ELEVATION



SECTION D-D LIFTING HDPE DEVICE FRAME

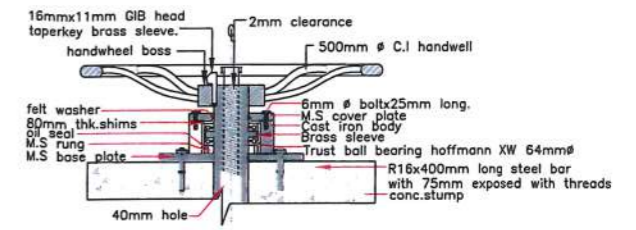


SIDE ELEVATION

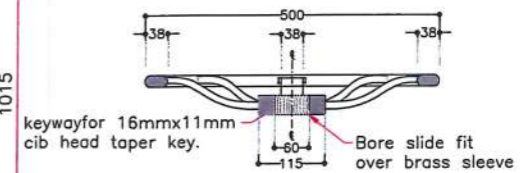


FRONT ELEVATION

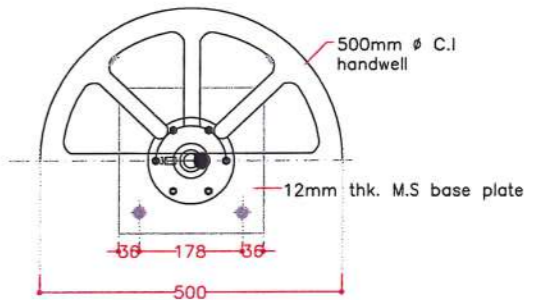
DETAIL OF M.S SPINDAL & BRACKET scale 1: 50



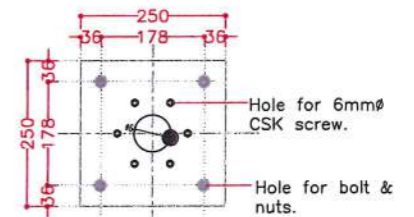
SECTIONAL ELEVATION



DETAILS OF C.I. HANDWHEEL



PLAN OF HANDWHEEL



DETAILS OF M.S BASE PLATE

NOTES :

- All dimensions in millimeters unless otherwise indicated.
- PAINTING**
As specified for all exposed concrete surface.
- All metal surfaces to be cleaned with emery cloth and painted with one coat of red oxide and two finishing coats of coal tar epoxy.
- M.S plate should be properly greased at the contact area.
- All welding must be done in the workshop and proper precaution taken to prevent excessive distortion of members.
- The surface of the guides should be machined smoothly.
- S.S.=Stainless steel, L = Angle plate.
- The height of gate guide 'H' is to be determined and approved by SO



KAWASAN PEMBANGUNAN PERTANIAN BERSEPADU PULAU PINANG
Jalan Jelawat, Bandar Seberang Jaya,
13700 Perai, Pulau Pinang
Tel: 04-3907801
Fax no: 04-3907803

BUTIRAN	NOTA / PINDAAN	TANDA TANGAN	TARIKH
1	PINDAAN 1		4/1/2018

KAWASAN PEMBANGUNAN PERTANIAN BERSEPADU PULAU PINANG

DETAILS FOR 900mm Ø PIPE HDPE SCREWDOWN GATE GUIDE.

INILAH PELAN YANG BERKENANAN
DIDALAM KONTRAK NO.:

HJ. KHIRLUDDIN BIN DARUS
PURUTERA PROJEK
KAWASAN PEMBANGUNAN PERTANIAN BERSEPADU
NEGERI PULAU PINANG

TANDATANGAN	NAMA	TARIKH	SEKIL: 1 : 100 & AS SHOWN
			NO. PELAN: WDA/STP/W/17-66A
	ANIS BINTI MOHD ISA		NO. NEG.
	IR. SITI NORAZELA BT		NO. KABINET